

# ME110

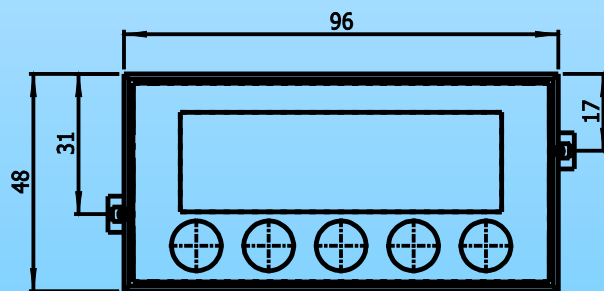
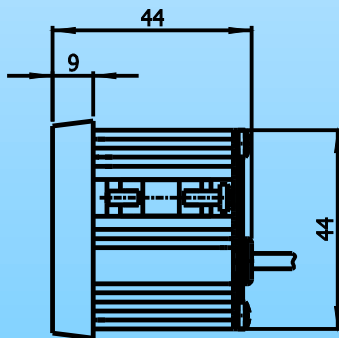


## BATTERY-POWERED DIGITAL READOUT with MAGNETIC linear reading system

- Easy and quick installation
- High accuracy and repeatability
- Many functions available
- Compact and versatile system

<b>MECHANICAL AND ELECTRICAL FEATURES</b>	
Programmable resolution	1,0 - 0,1 - 0,05 - 0,01mm; 0,01 - 0,001 - 1/16 - 1/32 - 1/64Inch; 1° - 0,1° - 0,01° - 0,001° Angular
Accuracy	± 30 µm
Repeatability	± 1/2 Digit
Power supply	1 Bat. LR6 AA or 2 bat.LR6 AA or external (1,5÷5Volt)
Operating temperature	0 ÷ 50°C
Storing temperature	-20° ÷ 70°C
Humidity	95% not condensed
<b>READOUT</b>	
Weight	175 g
Vibration resistance	[55Hz÷2KHz] a 25m/s <sup>2</sup>
Protection rate (IP)	IP 43 according to norm DIN 40050
<b>TRANSDUCER</b>	
Max speed	4 m/s
Distance transducer-strip	0,3 ÷ 2 mm
Vibration resistance	[55Hz÷2KHz] a 100m/s <sup>2</sup>
Shock resistance	1000m/s <sup>2</sup> (11ms)
Protection rate (IP)	IP 67 according to DIN 40050
<b>CABLE - 6 cores ø3,4 mm</b>	
Minimum bending radius	50 mm
Lenght	0,5 / 1 / 1,5 / 2 m

### READOUT DIMENSIONS



### TRANSDUCER DIMENSIONS

