

# Main Applications of GIVI Misure products

## Transfer Machines



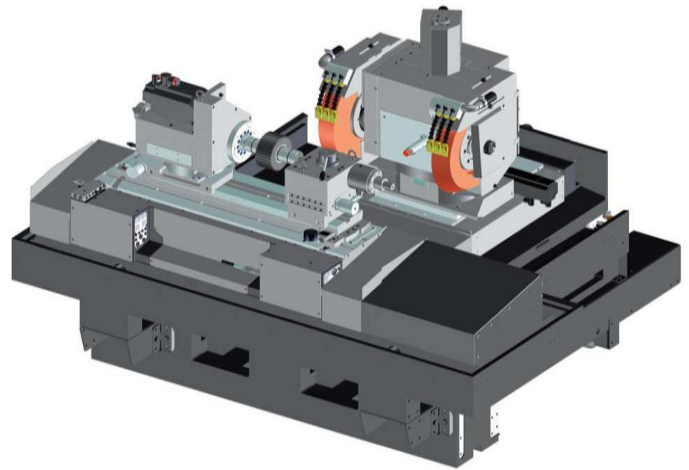
## Logistic Storage



## Hi-Precision Printing Machines



## Grinding Machines



## Measurement Machine



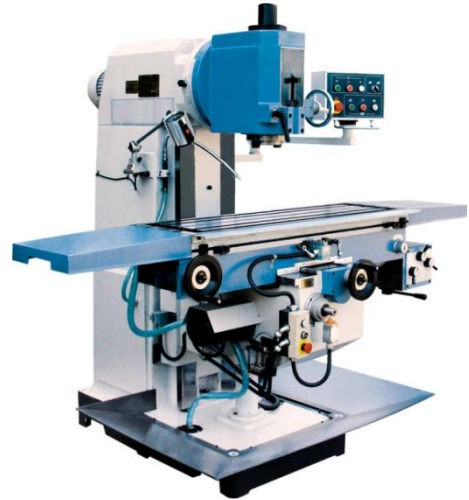
## CT Scanner Machine



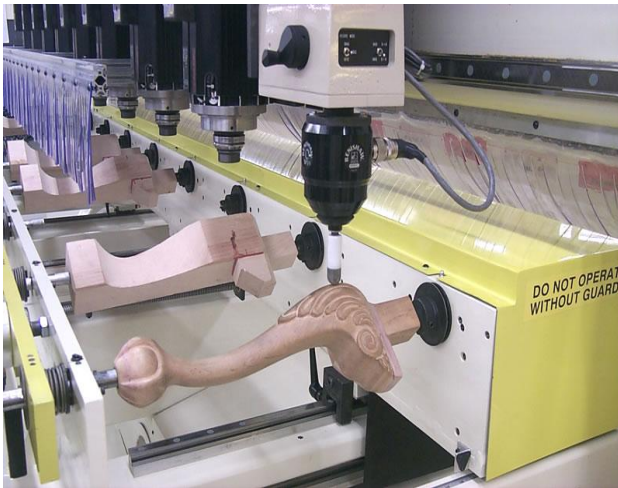
## Packaging Machine



## Milling Machine



## Wood Machine



## Stone Machine



## Light Materials Machine



## Turning Lathes

