

## GIVI scales on Grinding Machine

Since not long time, some major manufacturers of grinding machine are testing and buying GIVI scales. In this kind of application, our products are appreciated for performance, reliability and price. These points allow us to increase the number of customers.



Basic grinding machine

The main names are:

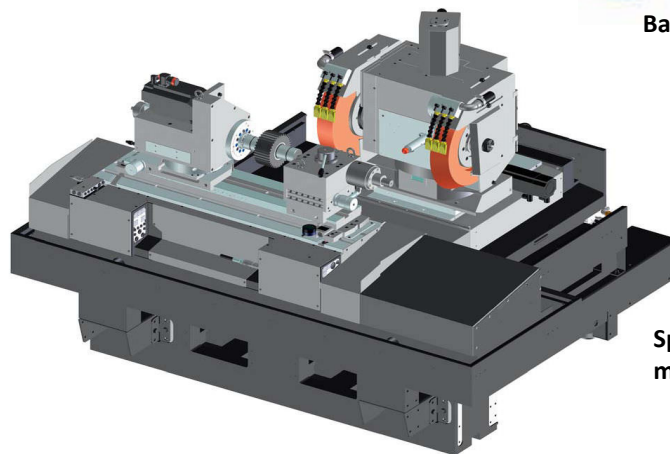
[Pomini/Tenova](#)

[Gioria](#)

[Jones and Shipman](#)

[Rosa Ermando](#)

[Ghiringhelli](#)



Special grinding machine for gears

In these applications, they mainly use optical linear encoders, incremental and absolute, with a resolution of 1 to 0.1  $\mu\text{m}$ .

For price and performance, we recommend to offer NCS or AGS, best combined with the Digital Readout VI900.

If the customer already has a CNC on board, we can offer a TTL signal or 1Vpp. If a Siemens Drive CliQ is on board, you can use our SSI protocol with a gateway.

For larger machines, it could be interesting to offer the NCS with Zero-coded.

On these kind of machines the environmental problem (contamination by working particulate) are high, but our scales, double-sealed or pressurized, give a good reliability.

The linear speeds of the axes of these machines are not high, max 120 m / min.

As usual, don't hesitate to contact me for special technical or commercial request.

Let's do it together!